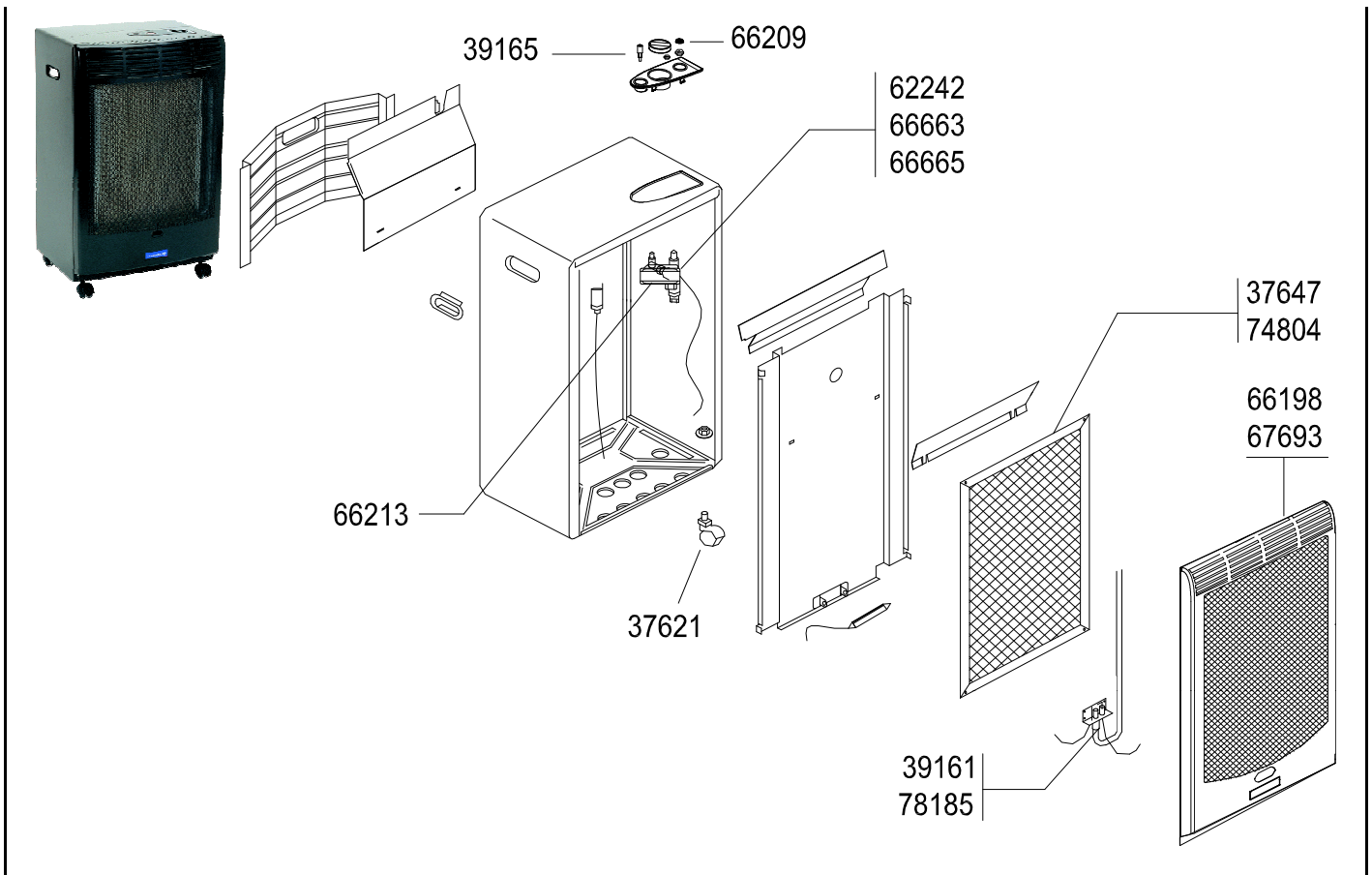


CATALYTIC HEATER / CHAUFFAGE CATALYTIQUE : CR 5000 THERMO



REF.	POINTS	- GB - DESIGNATIONS	DESIGNATIONS - F -	FRANCE	FRANCE	SWITZERLAND/ SUISSE	GERMANY / Allemagne
				MOD.00/01			
37621	50	WHEEL (X2)	ROUE (X2)	X	X	X	X
37647	340	CATALYTIC PANEL	PANNEAU CATALYTIQUE	X	X	X	X
39161	150	GAS STOP DEVICE (FOR MALE CONNECTOR)	VEILLEUSE & THERMOCOUPLE (POUR RACCORD MALE)	X	X	X	
39165	50	PIEZO IGNITER	PIEZO	X	X	X	X
62242	170	SAFETY VALVE	VANNE DE SECURITE	X			
66198	175	FRONT PANEL - BLUE	FACADE AVANT BLEUE	X	X		
66209	30	THERMOSTAT SWITCH	VOLANT DE THERMOSTAT	X	X	X	X
66213	270	THERMOSTAT	THERMOSTAT	X	X	X	
66663	30	JET	INJECTEUR	X	X	X	
66665	170	SAFETY VALVE	VANNE DE SECURITE		X	X	X
67693	190	FRONT PANEL - GREY	FACADE AVANT - GRISE				X
74804	340	CATALYTIC PANEL WITH ELBOW NOZZLE	PANNEAU CATALYTIQUE AVEC RACCORD COUDE		X	X	X
78185	150	GAS STOP DEVICE (FOR FEMALE CONNECTOR)	VEILLEUSE & THERMOCOUPLE (POUR RACCORD FEMELLE)		X	X	
71169	50	UPPER POLYSTYRENE WEDGE	CALE POLYSTYRENE SUPERIEURE	X	X	X	X
71171	50	LOWER POLYSTYRENE WEDGE	CALE POLYSTYRENE INFERIEURE	X	X	X	X
67701	70	PACKAGING	EMBALLAGE	X	X	X	X