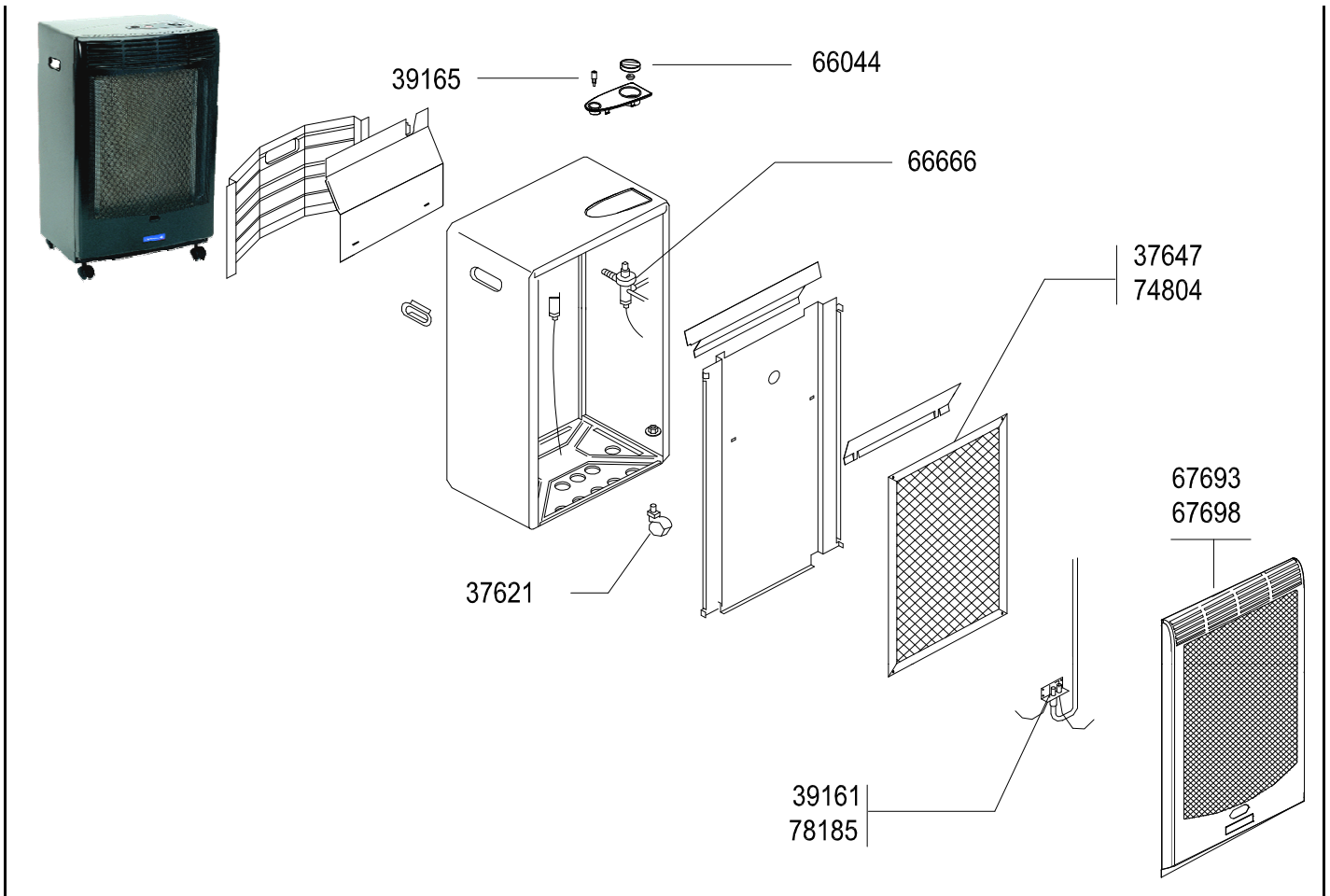


CATALYTIC HEATERS / CHAUFFAGES CATALYTIQUES : CR 5000



REF.	POINTS	- GB - DESIGNATIONS	DESIGNATIONS - F -	CR 5000 MOD.00/01 France	CR 5000 MOD.01/02 France	GALAX - NADIA SPAIN / Espagne	A-20 - SPAIN/Espagne	CR 5000 Portugal	CR 5000 ITALY/Italie	CR 5000 GERMANY / Allemagne	CR 5000 AUSTRIA / Autriche	CH 5000 ITALY - Italie	ATHENA 5000 SPAIN / Espagne & POLAND/ Pologne
37621	50	WHEEL (X2)	ROUE (X2)	X	X	X	X	X	X	X	X	X	X
37647	340	CATALYTIC PANEL	PANNEAU CATALYTIQUE	X	X	X	X	X	X	X	X	X	X
39161	150	GAS STOP DEVICE (FOR MALE CONNECTOR)	VEILLEUSE & THERMOCOUPLE (POUR RACCORD MALE)	X	X	X	X	X	X			X	X
39165	50	PIEZO IGNITER	PIEZO	X	X	X	X	X	X	X	X	X	X
66044	30	VALVE KNOB	VOLANT VANNE	X	X	X	X	X	X	X	X	X	X
66666	220	SAFETY VALVE	VANNE DE SECURITE		X	X	X	X	X			X	X
67693	190	FRONT PANEL - GREY	FACADE AVANT - GRISE			X	X	X		X			
67698	200	FRONT PANEL - BLUE	FACADE AVANT - BLEUE	X	X								
74804	340	CATALYTIC PANEL WITH ELBOW NOZZLE	PANNEAU CATALYTIQUE AVEC RACCORD COUDE		X	X	X	X	X	X	X	X	X
78185	150	GAS STOP DEVICE (FOR FEMALE CONNECTOR)	VEILLEUSE & THERMOCOUPLE (POUR RACCORD FEMELLE)		X	X	X	X	X				X
67701	70	PACKAGING	EMBALLAGE	X	X	X	X	X	X	X	X	X	X
71169	50	UPPER POLYSTYRENE WEDGE	CALE POLYSTYRENE SUPERIEURE	X	X	X	X	X	X	X	X	X	X
71171	50	LOWER POLYSTYRENE WEDGE	CALE POLYSTYRENE INFERIEURE	X	X	X	X	X	X	X	X	X	X