

**BARBECUES TEXAS - SUPER - DELUXE -
DELUXE EXTRA - EXTRA - WOODY -
WOODY DELUXE - VENTURA - US & US**



TEXAS & TEXAS SUPER



TEXAS DELUXE



TEXAS DELUXE EXTRA



TEXAS EXTRA



**TEXAS WOODY & VENTURA
WOODY GRANDE**



**TEXAS WOODY DELUXE
& VENTURA WOODY
GRANDE DELUXE**



TEXAS US

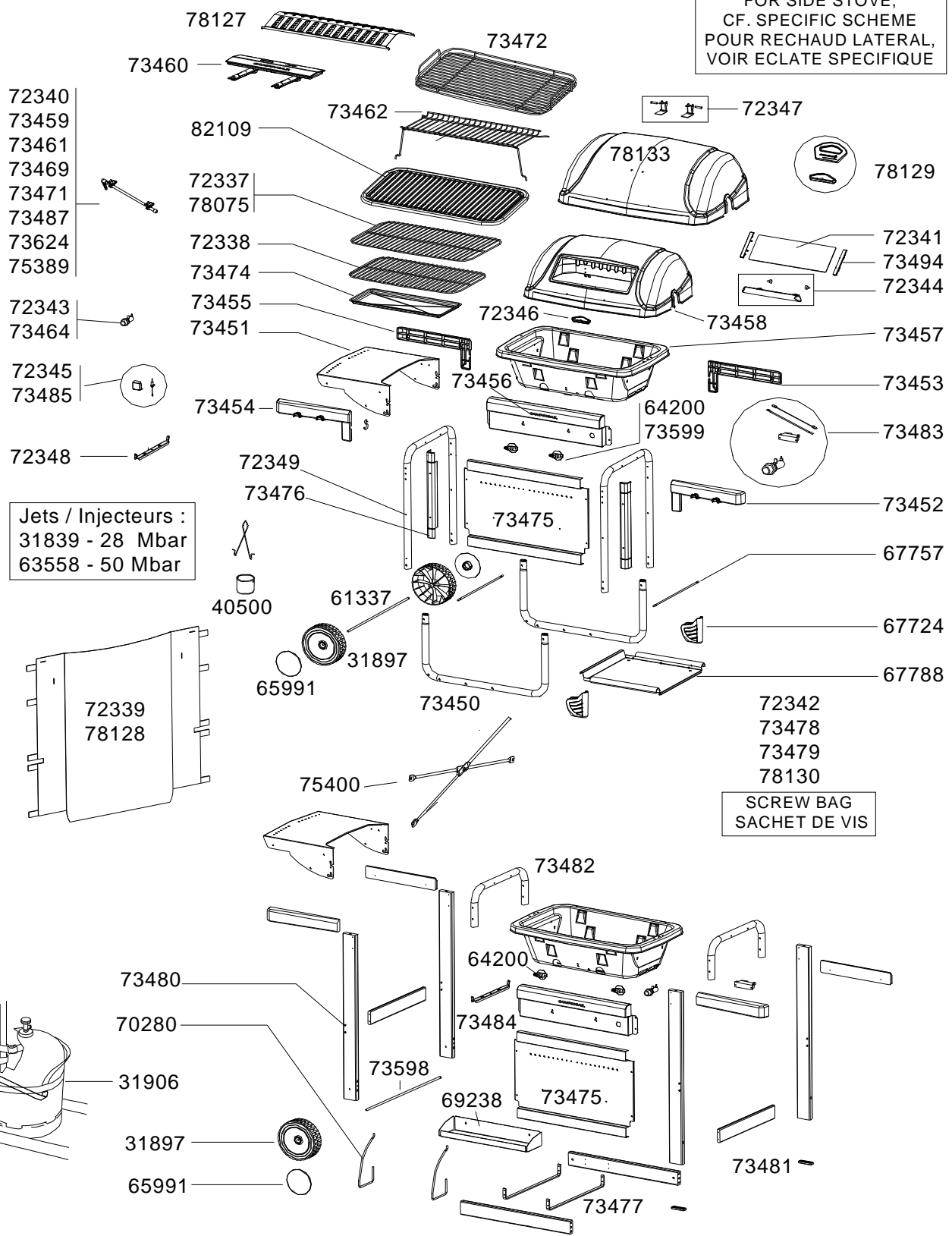


TEXAS US DELUXE

**BARBECUES TEXAS - SUPER - DELUXE -
DELUXE EXTRA - EXTRA - WOODY -
WOODY DELUXE - VENTURA - US & US**



FOR SIDE STOVE,
CF. SPECIFIC SCHEME
POUR RECHAUD LATÉRAL,
VOIR ECLATE SPECIFIQUE



Jets / Injecteurs :
31839 - 28 Mbar
63558 - 50 Mbar

SCREW BAG
SACHET DE VIS

**BARBECUES TEXAS - SUPER - DELUXE -
DELUXE EXTRA - EXTRA - WOODY -
WOODY DELUXE - VENTURA - US & US**



REF.	POINTS	GB - DESIGNATIONS	DESIGNATIONS - F -	TEXAS & TEXAS SUPER	TEXAS DELUXE	TEXAS DELUXE EXTRA	TEXAS EXTRA	TEXAS WOODY & VENTURA WOODY GRANDE	TEXAS WOODY DELUXE & VENTURA WOODY GRANDE DLXE	TEXAS US & US DELUXE
31839	30	JET	INJECTEUR	X	X	X	X	X	X	X
31897	50	WHEEL DIAMETER 175 (X 1)	ROUE DIAMETRE 175 (X 1)	X	X	X	X	X	X	X
31906	30	CYLINDER STRAP	SANGLE BOUTEILLE	X	X	X	X	X	X	X
40500	40	GREASE CAN + WIRE	BOITE A GRAISSE + FIL	X	X	X	X	X	X	X
61337	30	AXLE WHEEL	AXE DE ROUE	X	X	X	X			X
63558	30	JET	INJECTEUR	X	X	X	X	X	X	X
64200	30	KNOBS (X 2)	VOLANTS (X2)	X	X	X	X	X	X	
65991	30	HUB CAP	ENJOLIVEUR DE ROUE			X	X	X	X	X
67724	30	FOOT	PIED	X	X	X	X			X
67757	30	CYLINDER STOP WIRE	FIL ARRET BOUTEILLE	X	X	X	X			X
67788	110	GREY CYLINDER SUPPORT	SUPPORT DE RESERVOIR GRIS	X	X	X	X			X
69238	100	SHEET METAL BASKET	PANIER TOLE			X	X	X	X	X
70280	30	BASKET WIRE	FIL PANIER			X	X	X	X	X
72337	140	ENAMELLED COOKING GRID	GRILLE DE CUISSON EMAILLEE	X	X	X	X	X	X	
72338	80	LAVA ROCK GRID	GRILLE PIERRE DE LAVE	X	X			X		
72339	120	TEXTILE CYLINDER COVER	JUPE TEXTILE	X	X					
72340	220	GAS PIPE 28 MB - 1/2"(Fr)	TUBULURE 28 mb - 1/2"(Fr)	X			X	X		X
72341	100	GLASS (+ 2 HOLDERS)	VITRE (+ 2 EQUERRES)	X	X	X	X	X	X	
72342	120	SCREW BAG	SACHET DE VIS	X	X	X	X			
72343	70	PIEZO ONE OUTLET(+ NUT)	PIEZO SIMPLE (+ ECROU)	X			X	X		X
72344	80	PLASTIC HANDLE	POIGNEE PLASTIQUE	X	X	X	X	X	X	X
72345	50	ELECTRODE + HOLDER	ELECTRODE + CACHE ELECTRODE	X	X	X	X	X		X
72346	50	THERMOMETER	THERMOMETRE	X	X	X	X	X	X	
72347	80	LID HINGE SET (X 2)	CHARNIERE+AXE (X 2) COUVERCLE	X	X	X	X	X	X	X
72348	30	BURNER HOLDER	SUPPORT DE BRULEUR	X	X	X	X	X	X	X
72349	70	UPPER U TUBE	TUBE U SUPERIEUR	X	X	X	X			X
73450	70	LOWER U TUBE	TUBE U INFERIEUR	X	X	X	X			X
73451	120	SHELF	ETAGERE	X	X	X	X	X	X	X
73452	70	FRONT SHELF FINISHING-RIGHT SIDE	ENJOLIVEUR FRONTAL ETAGERE -DROITE	X	X	X	X			X
73453	70	REAR SHELF FINISHING-RIGHT SIDE	ENJOLIVEUR ARRIERE ETAGERE -DROITE	X	X	X	X			X
73454	70	FRONT SHELF FINISHING-LEFT SIDE	ENJOLIVEUR FRONTAL ETAGERE -GAUCHE	X	X	X	X			X
73455	70	REAR SHELF FINISHING-LEFT SIDE	ENJOLIVEUR ARRIERE ETAGERE -GAUCHE	X	X	X	X			X
73456	110	FRONT PANEL (FOR MOD. PIEZO)	CONSOLE (POUR MOD. PIEZO)	X	X	X	X	X		X
73457	320	BASE BOTTOM	CUVE	X	X			X		X
73458	450	LID	COUVERCLE	X	X	X	X	X	X	
73459	220	GAS PIPE 28 MB - EXPORT NOZZLE	TUBULURE 28 MB - ABOUT EXPORT	X			X	X		X
73460	260	CAST-IRON BURNER	BRULEUR FONTE	X	X	X	X	X	X	X
73461	220	GAS PIPE 50 MB - 1/4"(D)	TUBULURE 50 MB - 1/4"(D)	X			X	X		X
73462	120	WARMING RACK	GRILLE DE MIJOTAGE		X	X		X	X	
73464	80	PIEZO DOUBLE OUTLET (+ NUT)	PIEZO DOUBLE (+ ECROU)		X	X			X	X
73469	260	SIDE STOVE GAS PIPE 28 MB - 1/2"(Fr)	TUBULURE RECHAUD LATERAL 28 mb - 1/2"(Fr)		X	X			X	X
73471	260	STOVE GAS PIPE 28MB -EXPORT NOZZLE	TUBULURE RECHAUD 28 MB - ABOUT EXPORT		X	X			X	X
73472	110	LAVA ROCK BASKET	PANIER PIERRES DE LAVE			X	X		X	
73474	240	GREASE DRAWER	TIROIR A GRAISSE			X	X		X	
73475	150	METAL CYLINDER COVER	JUPE METAL			X	X	X	X	

**BARBECUES TEXAS - SUPER - DELUXE -
DELUXE EXTRA - EXTRA - WOODY -
WOODY DELUXE - VENTURA - US & US**



REF.	POINTS	GB - DESIGNATIONS	DESIGNATIONS - F -	TEXAS & TEXAS SUPER	TEXAS DELUXE	TEXAS DELUXE EXTRA	TEXAS EXTRA	TEXAS WOODY & VENTURA WOODY GRANDE	TEXAS WOODY DELUXE & VENTURA WOODY GRANDE DLXE	TEXAS US & US DELUXE
73476	30	FRONT PLASTIC FINISHING	ENJOLIVEUR PLASTIQUE			X	X			X
73477	50	CYLINDER HOLDER	SUPPORT DE RESERVOIR					X	X	
73478	90	SCREW BAG	SACHET DE VIS					X	X	
73479	100	SCREW BAG FOR TROLLEY	SACHET DE VIS POUR CHARIOT					X	X	
73480	600	WOODEN TROLLEY	CHARIOT BOIS					X	X	
73481	30	PLASTIC FOOT FOR TROLLEY	PIED PLASTIQUE CHARIOT					X	X	
73482	70	"U" TUBE	TUBE EN "U"					X	X	
73483	190	ELECTRONIC IGNITION KIT	KIT ALLUMAGE ELECTRONIQUE						X	
73484	110	FRONT PANEL (FOR MOD. ELECTRONIC	CONSOLE (POUR MOD. TRAIN ETINCELLES)						X	
73485	50	ELECTRODE (FOR ELECTRONIC IGNITION)	ELECTRODE (POUR ALLUMAGE ELECTRONIQUE)						X	
73487	260	SIDE STOVE GAS PIPE 50 MB 1/4"(D)	TUBULURE RECHAUD LATERAL 50 MB -1/4" (D)		X	X			X	X
73494	40	GLASS SQUARE HOLDER (x 2)	EQUERRE VITRE (X 2)	X	X	X	X	X	X	
73598	40	WHEEL AXLE	AXE DE ROUE					X	X	
73599	20	KNOB FOR US & SORRENTO	VOLANT TEXAS US & SORRENTO - UK		X				X	X
73624	260	SIDE STOVE PIPE 28 MB - 1/4" (Ch)	TUBULURE RECHAUD LAT. 28 MB - 1/4" Ch)		X					
75400	60	STRENGTHENING BARS FOR TROLLEY	BARRES RENFORT CHARIOT	X	X					X
78075	170	CAST-IRON GRID	GRILLE FONTE							X
78127	80	BURNER TENT	TENTE PROTEGE BRULEUR	X		X		X	X	X
78128	160	TEXTILE CYLINDER COVER FOR TEXAS US	JUPE TEXTILE TEXAS US							X
78129	100	NAME PLATE & THERMOMETER	PLAQUE CAMPINGGAZ & THERMOMETRE							X
78130	110	SCREW BAG	SACHET DE VIS							X
78133	350	LID WITHOUT WINDOW	COUVERCLE SANS VITRE							X
82109	250	CAST IRON GRID FOR VENTURA	GRILLE FONTE VENTURA			X			X	
73491	110	PACKAGING	EMBALLAGE			X				
73493	110	PACKAGING	EMBALLAGE						X	
75828	90	PACKAGING MOD. SUPER	EMBALLAGE MOD. SUPER	X						
78131	120	PACKAGING TEXAS US	EMBALLAGE TEXAS US							X
78132	120	PACKAGING TEXAS US DELUXE	EMBALLAGE TEXAS US DELUXE							X
	O	POUR RECHAUD LATERAL VOIR ECLATE RECHAUD TEXAS FOR SIDE STOVE SEE SIDE STOVE SCHEME OF TEXAS			X	X			X	X