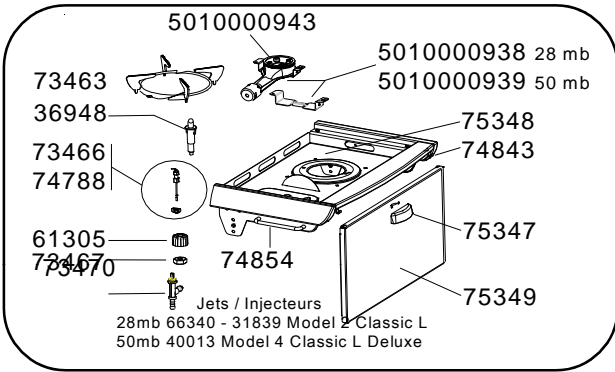
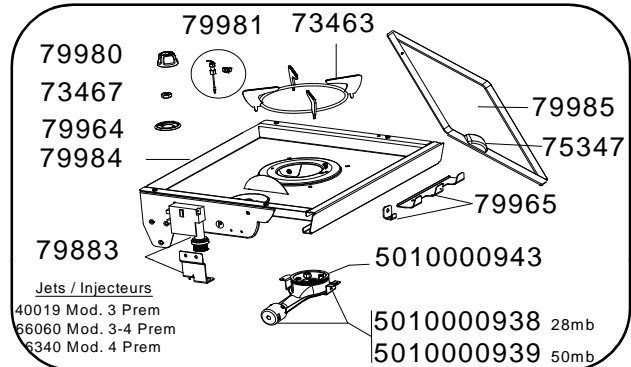


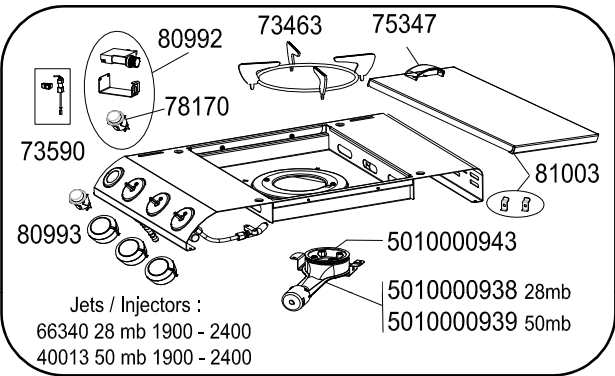
# BARBECUE SIDE STOVES RECHAUD LATERAL BARBECUES



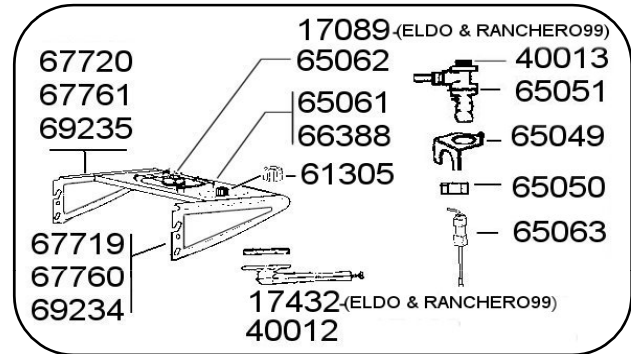
**ADELAÏDE 2 - 3 - 4 CLASSIC L DELUXE**



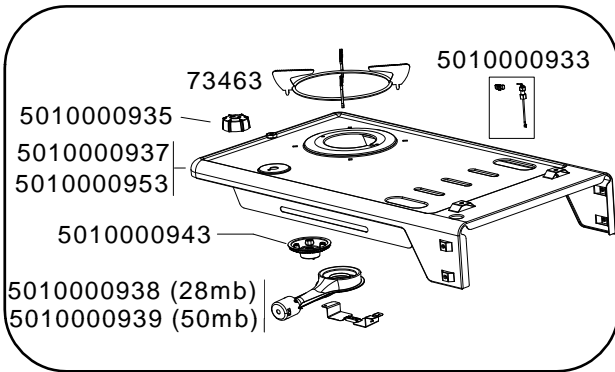
**ADELAÏDE 3 - 4 PREMIUM DELUXE**



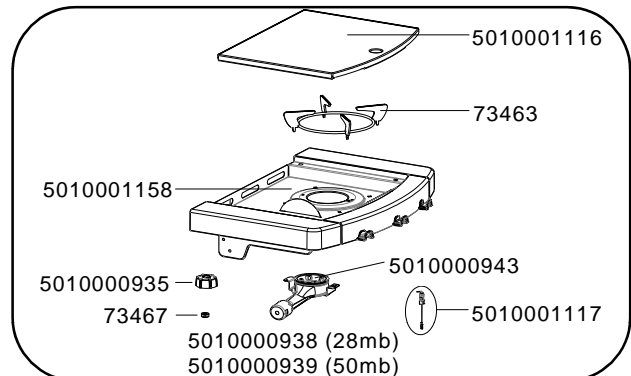
**C-LINE 1900 - 2400 D**



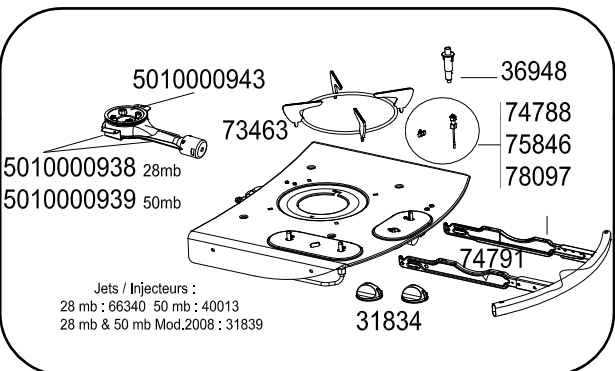
**ELDORADO & EXPERT 2**



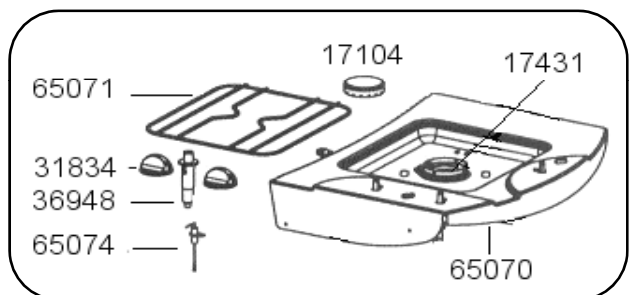
**EL PRADO 1800 - 2200**



**GENESCO 3-4**

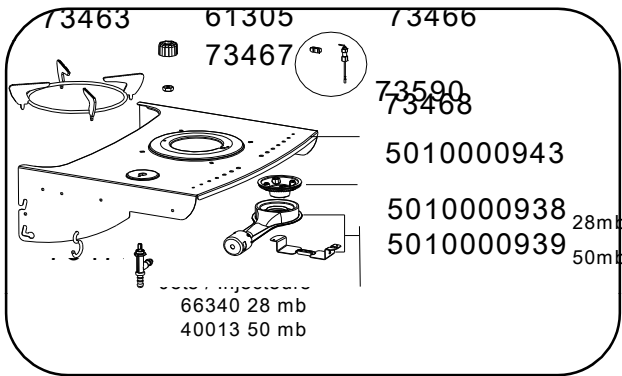


**RBS CLASSIC GRANDE**

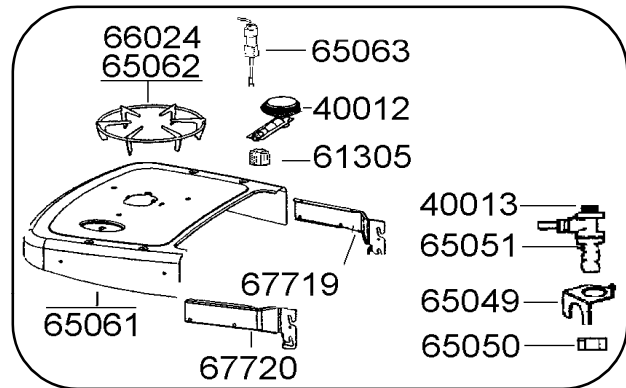


**RBS & RBS WOODY GRANDE**

# BARBECUE SIDE STOVES RECHAUD LATERAL BARBECUES



TEXAS & TEXAS US DELUXE



VIRTUOSO 2000 - 2500 & 1700-2000R

REF.	POINTS	GB DESIGNATIONS	DESIGNATIONS F	ADELAÏDE 2 - 3 - 4 CLASSIC L DELUXE	ADELAÏDE 3 / 4 PREMIUM DELUXE	C - LINE 1900 & 2400 D	ELDORADO / EXTRA / RANCHERO99 / EXPERT / 2 / ADVANTAGE	EL PRADO 1800 - 2200	GENESCO 3 - 4 DELUXE	RBS CLASSIC GRANDE	RBS WOODY & GRANDE	TEXAS & TEXAS US DELUXE	VIRTUOSO 2000 & 2500 - 1700 & 2000R
17089	50	BURNER CAP	CHAPEAU				X						
17104	30	BURNER CAP	CHAPEAU								X		
17431	60	CRIMPED BURNER & CAP	BRULEUR SERTI+CHAPEAU								X		
17432	60	CRIMPED BURNER & CAP	BRULEUR SERTI+CHAPEAU				X						
31834	30	FRONT PANEL KNOB (X2)	VOLANT DE CONSOLE (X2)							X	X		
31839	30	JET	INJECTEUR	X						X			
36948	60	SIMPLE IGNITER	PIEZO SIMPLE	X						X	X		
40012	60	COMPLETE BURNER	BRULEUR				X						X
40013	30	JET	INJECTEUR	X		X	X			X		X	X
40019	50	JET	INJECTEUR		X								
61305	30	KNOB	VOLANT	X			X					X	X
65049	20	SQUARE	RONDELLE DE BRIDAGE				X						X
65050	20	SIDE TAP NUT	ECROU DE FIXATION ROBINET				X						X
65051	70	TAP 28 MB	ROBINET 28MB				X						X
65061	95	TRAY - MOD 1700R/2000R	PLATEAU - Mod 1700R /2000R				X						X
65062	50	GRID - MOD 1700R/2000R	GRILLE - MOD 1700R/2000R				X						X
65063	60	ELECTRODE + WIRE	ELECTRODE + FIL				X						X
65070	90	STOVE TRAY - SILVER (MOD. PIEZO)	PLATEAU RECHAUD - ARGENT (MOD. PIEZO)								X		
65071	60	GRATE	GRILLE								X		
65074	50	ELECTRODE AND WIRE	ELECTRODE ET FIL								X		
66024	60	SIDE STOVE GRID - MOD 2000/2500	GRILLE RECHAUD LATERAL - MOD 2000/2500										X
66340	30	JET	INJECTEUR	X	X	X				X		X	
66388	90	STOVE TRAY - SILVER	PLATEAU RECHAUD - ARGENT				X						
67719	60	LEFT SHELF HOLDER - GREY	SUPPORT ETAGERE GAUCHE - GRIS				X						X
67720	60	RIGHT SHELF HOLDER - GREY	SUPPORT ETAGERE DROIT - GRIS				X						X
67760	60	LEFT SHELF HOLDER - SILVER	SUPPORT ETAGERE GAUCHE -				X						
67761	60	RIGHT SHELF HOLDER - SILVER	SUPPORT ETAGERE DROIT -				X						

# BARBECUE SIDE STOVES RECHAUD LATERAL BARBECUES



REF.	POINTS	GB DESIGNATIONS	DESIGNATIONS F	ADELAÏDE 2 - 3 - 4 CLASSIC L DELUXE	ADELAÏDE 3 / 4 PREMIUM DELUXE	C - LINE 1900 & 2400 S	ELDORADO / EXTRA / RANCHERO99 / EXPERT / 2 / ADVANTAGE	EL PRADO 1800 - 2200	GENESCO 3 - 4 DELUXE	RBS CLASSIC GRANDE	RBS WOODY & GRANDE	TEXAS & TEXAS US DELUXE	VIRTUOSO 2000 & 2500 - 1700 & 2000R
69234	80	LEFT SHELF HOLDER - SILVER	SUPPORT ETAGERE GAUCHE -				X						
69235	80	RIGHT SHELF HOLDER	SUPPORT ETAGERE DROIT				X						
73463	60	PAN SUPPORT	SUPPORT DE CASSEROLE	X	X	X		X	X	X		X	
73466	60	ELECTRODE (ROUND END) + CLIP	ELECTRODE (COSSE RONDE) +	X								X	
73467	30	BLOCKING NUT	ECROU DE BLOCAGE	X	X			X	X			X	
73468	90	SIDE STOVE TRAY	PLATEAU RECHAUD LATERAL									X	
73470	60	28 MBAR TAP	ROBINET 28 MBAR	X				X				X	
73590	50	ELECTRODE (SQUARE END) + CLIP	ELECTRODE (COSSE PLATE)+ CLIP									X	
74788	40	ELECTRODE + CLIP	ELECTRODE + CLIP	X						X			
74791	160	RIGHT PREASSEMBLED SHELF	ETAGERE DROITE PREMONTÉE							X			
74843	70	RIGHT REAR SIDE FLANK	FLANC ETAGERE ARRIERE DROITE	X									
74854	30	USTENSIL WIRE	FIL SUPPORT USTENSILES	X									
75347	30	SIDE STOVE HANDLE	POIGNEE COUVERCLE RECHAUD	X	X	X							
75348	150	PRE-ASSEMBLED SIDE BURNER SHELF	ETAGERE RECHAUD PRE-ASSEMBLEE	X									
75349	80	SIDE STOVE LID	COUVERCLE RECHAUD LATERAL	X									
75846	70	SIDE BURNER ELECTRODE - MOD 2008	ELECTRODE RECHAUD LATERAL MOD. 2008							X			
78097	70	SIDE STOVE ELECTRODE - MOD 2008	ELECTRODE RECHAUD LATERAL MOD 2008							X			
78170	90	PUSH BUTTON ELECTRONIC IGNITOR	BOUTON POUSSOIR TRAIN D'ETINCELLES			X							
79883	200	ELECTRONIC IGNITION SET	KIT ALLUMAGE ELECTRONIQUE		X								
79964	70	KNOB + CIRCLE	VOLANT + CERCLE		X								
79965	90	USTENSILS HOLDER + HOOK FOR STOVE	PORTE USTENSILES + CROCHET RECHAUD		X								
79980	50	KNOB	VOLANT		X								
79981	60	ELECTRODE & CLIP	ELECTRODE & CLIP		X								
79984	300	SIDE STOVE TRAY	PLATEAU RECHAUD LATERAL		X								
79985	90	STOVE LID	COUVERCLE RECHAUD		X								
80992	180	ELECTRONIC IGNITION SET	KIT ALLUMAGE ELECTRONIQUE			X							
80993	40	KNOB + CIRCLE	VOLANT + ENJOLIVEUR			X							
81003	90	LID + HOOKS	COUVERCLE+ CROCHETS			X							
5010000933	40	ELECTRODE + CLIP	ELECTRODE + CLIP					X					
5010000935	60	KNOB	VOLANT					X	X				
5010000937	170	SIDE BURNER SHELF	ETAGERE RECHAUD LATERAL					X					
5010000938	80	SIDE BURNER STOVE 28MB	BRULEUR RECHAUD LATERAL 28	X	X	X		X	X		X	X	
5010000939	80	SIDE BURNER STOVE 50 MB	BRULEUR RECHAUD LATERAL 50	X	X	X		X	X		X	X	
5010000943	40	CAP LATERAL BURNER + ALU SEAL	CHAPEAU BRULEUR LATERAL + JOINT ALU	X	X	X		X	X		X	X	
5010000953	180	SIDE STOVE TRAY	PLATEAU RECHAUD LATERAL					X					
5010001116	100	SIDE STOVE LID	COUVERCLE RECHAUD						X				
5010001117	40	ELECTRODE	ELECTRODE						X				
5010001158	250	SIDE BURNER TRAY	PLATEAU RECHAUD LATERAL						X				