

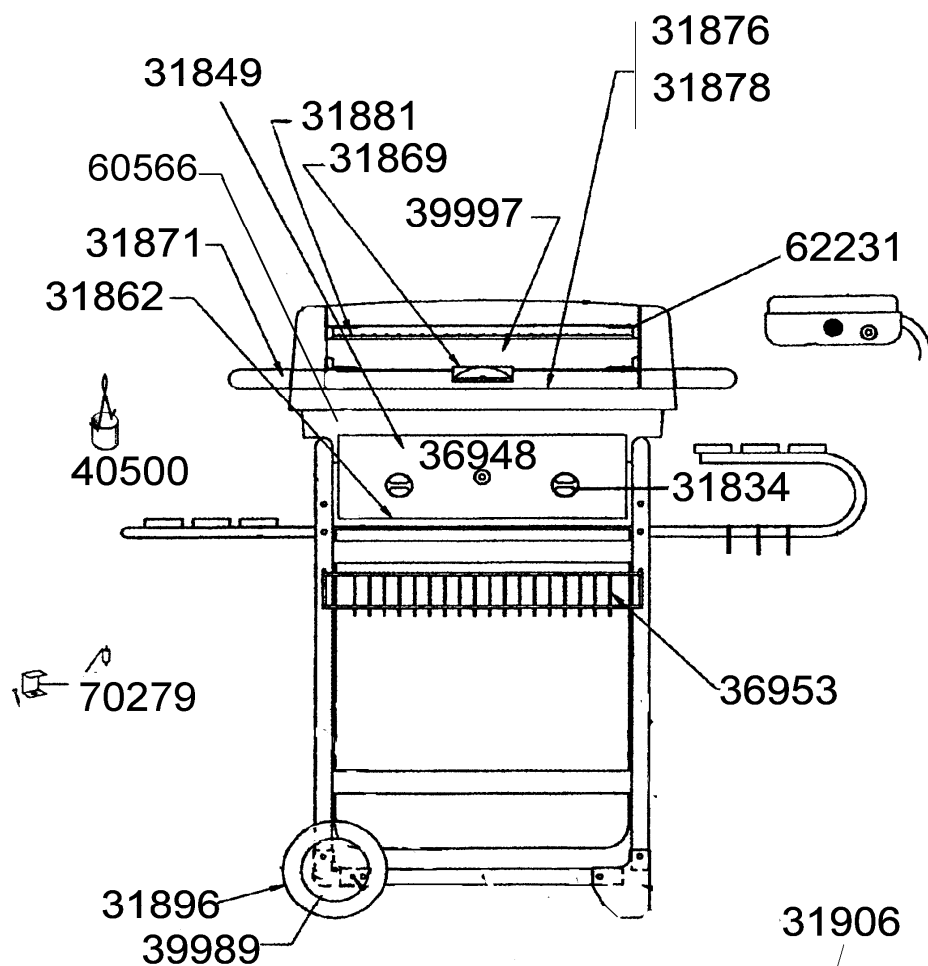
**RANCHERO 11000 - 4 - & 12000  
EXCLUSIVE MODELES 97**



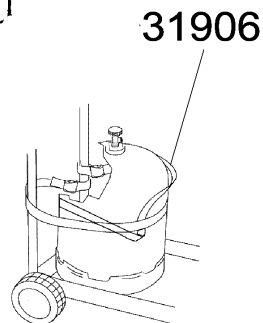
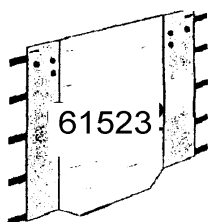
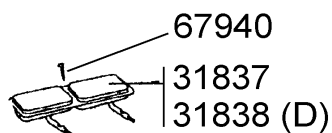
**11000 - 4 SUPER**



**11000 EXCLUSIVE**



JET / INJECTEUR  
31841 28 MB



# RANCHERO 11000 - 4 - & 12000 EXCLUSIVE MODELES 97



REF.	POINTS	GB - DESIGNATIONS	DESIGNATIONS - F -	PLUS 4 & 11 EXCLUSIVE	SUPER 4 & 12 EXCLUSIVE
31834	30	FRONT PANEL KNOB (X2)	VOLANT DE CONSOLE (X2)	X	X
31837	165	BURNER	BRULEUR	X	X
31838	135	BURNER TYPE "D"	BRULEUR "ALLEMAND"	X	X
31841	30	JET	INJECTEUR	X	X
31849	320	CONTROL PANEL	CONSOLE	X	X
31862	150	BASE BOTTOM	FOND DE CUVE	X	X
31869	80	RECTANGULAR THERMOMETER	THERMOMETRE RECTANGULAIRE	X	X
31871	80	HANDLE & (HANDLE GASKET)	POIGNEE+ (RONDELLE)	X	X
31876	150	ENAMELLED COOKING GRATE (SM)	GRILLE CUISSON EMAILLEE (PM)	X	X
31878	160	ENAMELLED COOKING GRID (LM)	GRILLE CUISSON EMAILLEE (GM)	X	X
31881	80	CHROMED WARMING GRID	GRILLE DE MIJOTAGE CHROMEE	X	X
31896	50	WHEEL DIAMETER 150 (X 1)	ROUE DIAMETRE 150 (X 1)	X	X
31906	30	CYLINDER STRAP	SANGLE BOUTEILLE	X	X
36948	60	SIMPLE IGNITER	PIEZO SIMPLE	X	X
36953	100	FRONT BASKET	PANIER FRONTAL	X	X
39989	50	WHEEL AXIS	AXE DE ROUE	X	X
39997	120	GLASS + (SUPPORT X4)	VITRE+ (EQUERRE X4)	X	X
40500	40	GREASE CAN + WIRE	BOITE A GRAISSE + FIL	X	X
60566	90	LAVA ROCK GRATE	GRILLE PIERRE DE LAVE	X	X
61523	120	FRONT COVER (GREY/YELLOW)	JUPE TEXTILE (GRISE/JAUNE)	X	X
62231	60	GLASS SQUARE SUPPORT (X4)	EQUERRE VITRE (X4)	X	X
67940	30	SCREW (X 5) FOR BURNER	VIS (x 5) POUR BRULEUR	X	X
70279	50	ELECTRODE + HOLDER	ELECTRODE + CACHE ELECTRODE	X	X