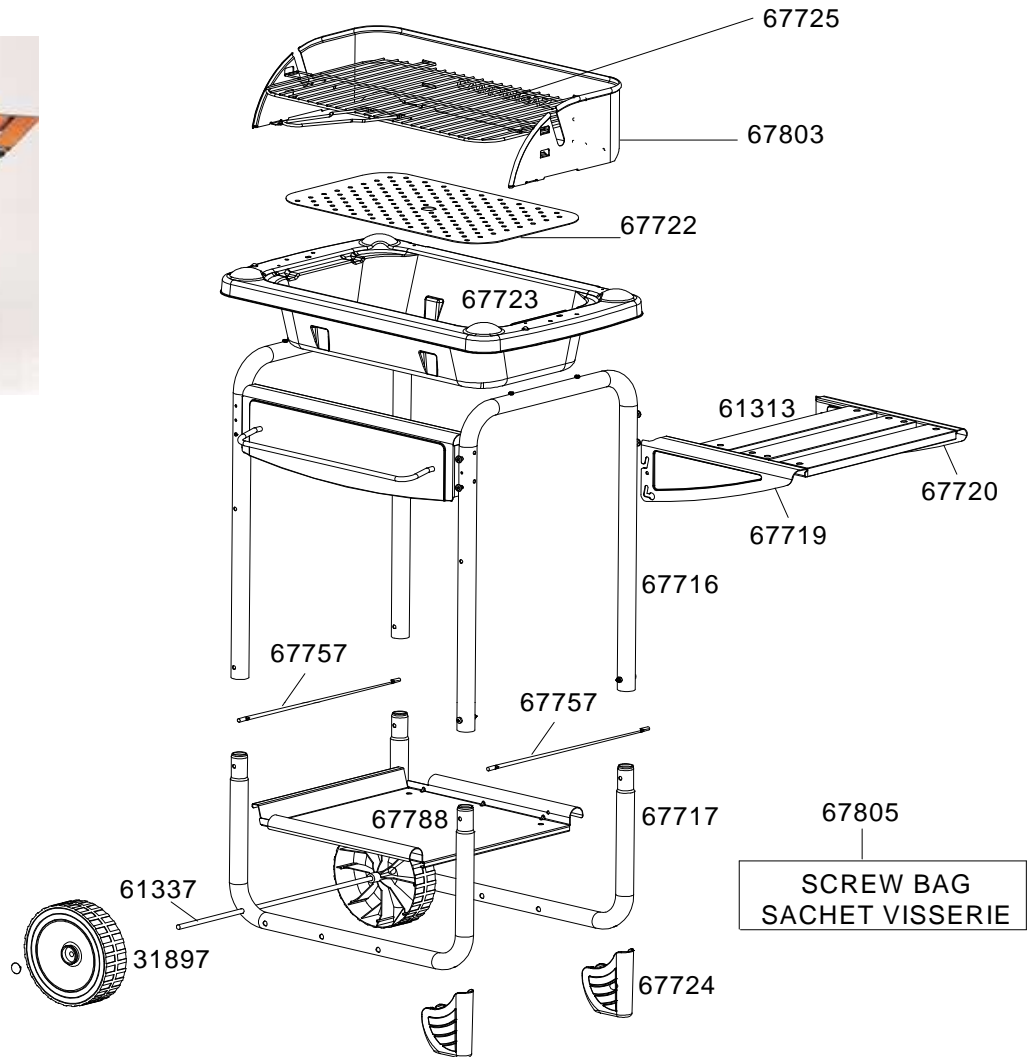


CHARCOAL BARBECUE BARBECUE A CHARBON DE BOIS:



REF.	POINTS	GB - DESIGNATIONS	DESIGNATIONS - F -
31897	50	WHEEL DIAMETER 175 (X 1)	ROUE DIAMETRE 175 (X 1)
61313	80	SET OF 3 PLANKS	JEU DE 3 LATTES
61337	30	AXLE WHEEL	AXE DE ROUE
67716	90	UPPER U TUBE - GREY	TUBE U SUPERIEUR - GRIS
67717	90	LOWER U TUBE - GREY	TUBE U INFERIEUR - GRIS
67719	60	LEFT SHELF HOLDER - GREY	SUPPORT ETAGERE GAUCHE - GRIS
67720	60	RIGHT SHELF HOLDER - GREY	SUPPORT ETAGERE DROIT - GRIS
67722	80	CHARCOAL SHEET	TOLE CHARBON
67723	270	BASE	CUVE
67724	30	FOOT	PIED
67725	90	COOKING GRID	GRILLE DE CUISSON
67757	30	CYLINDER STOP WIRE	FIL ARRET BOUTEILLE
67788	110	GREY CYLINDER SUPPORT	SUPPORT DE RESERVOIR GRIS
67803	140	WINDSHIELD	PAREVENT
67805	60	SCREW BAG	SACHET DE VISSERIE
67721	90	PACKAGING	EMBALLAGE